

KMT Abrasive Metering System

FEEDLINE PRECISION²

Variable Control Dial for Precision and Flexibility

An accurate and consistent abrasive feed-rate is critical to the waterjet abrasive cutting process. A well regulated feed-rate of abrasive cuts down on waste and results in a tighter cutting stream with a cleaner, smoother cutting edge.

KMT Waterjet Systems introduces the New FEEDLINE PRECISION variable dial control abrasive vessel. The full spectrum dial, notched in 1/10 lb. increments, delivers precise flow control of abrasive from 0 to 2-1/2 lbs./min. for cutting a variety of materials and thicknesses. The innovative Dial-It-In feature delivers flexible, economical and accurate delivery of abrasive to the cutting nozzle.

KMT Knows Accuracy & Precision

The FEEDLINE PRECISION Abrasive Metering System is designed with the same precision engineering KMT Waterjet has been globally known for since 1971 when they invented the first waterjet cutting system.

Ease of Use & Maintenance

The KMT FEEDLINE PRECISION is simple to mount, operate and maintain. The gravity fed abrasive automatically feeds to the fill line. No need to pause the cutting process - - the abrasive feed-rate can be adjusted to increase or decrease the abrasive stream. Adjusting the abrasive feed is quickly done by the operator with a turn of the knob to the correct setting.

Flexibility in Abrasive Use & Cutting Speed

The KMT FEEDLINE PRECISION features an accurate dial with multiple settings, from 0 to 2-1/2 lbs./min., which allow the operator to quickly select the amount of abrasive needed to improve cutting speed. The orifice setting is easily viewed by the operator at any time.



DIAL-IT-IN ABRASIVE CONTROL KNOB--ADJUSTS WHILE CUTTING

Compact & Lightweight

The KMT FEEDLINE PRECISION measures approximately 13.03" x 5.17" and is constructed of primarily lightweight, durable non-metallic composites that will not corrode in most environments.

Designed to Minimize Down Time

The FEEDLINE PRECISION features tightly sealed O-rings at the top and bottom of the abrasive housing, as well as the metering assembly to prevent moisture from contaminating the abrasive. The abrasive outlet feed is designed to help inhibit water from entering the housing and cause slowing, or possible clogging, of abrasive feed and the metering assembly is removable for easy cleaning.

The KMT Waterjet Family of Products

The FEEDLINE PRECISION is designed to work with the complete line of KMT Waterjet cutting head components and the STREAMLINE™ SL-VI line of pumps, including the new, fastest cutting STREAMLINE™ PRO 90,000 PSI pump.

Please call to discuss your applications or to receive more information on any high pressure component. KMT Waterjet has a network of trained and certified technicians available to provide Cutting Edge Solutions.

KMT
WATERJET

Summary of Features

- **KMT FEEDLINE PRECISION²:** Simplicity and Flexibility for Performance Value.
- **Operational Ease:** The FEEDLINE PRECISION² from KMT is a performance value abrasive feeder that can be adjusted while cutting for maximum efficiency.
- **Cutting Flexibility:** Variable flow lever---operator can quickly determine the amount of abrasive needed to improve cutting speed.
- **Consistent Accuracy:** Set screw locks in setting for uniform and repeatable abrasive flow settings.
- **Simplified Technology:** Gravity feed design close to the KMT Autoline[®] or IDE[®] cutting heads eliminates abrasive waste.
- **Durable Design:** Lightweight, anodized aluminum construction for easy cleaning, corrosion resistance & dissipation of static electricity. Clear 360 degree viewing of abrasive for easy monitoring.
- **Wear Components:** Fast and easy part replacement. Fast and easy cleaning, no tools required for day-to-day maintenance.

Legend

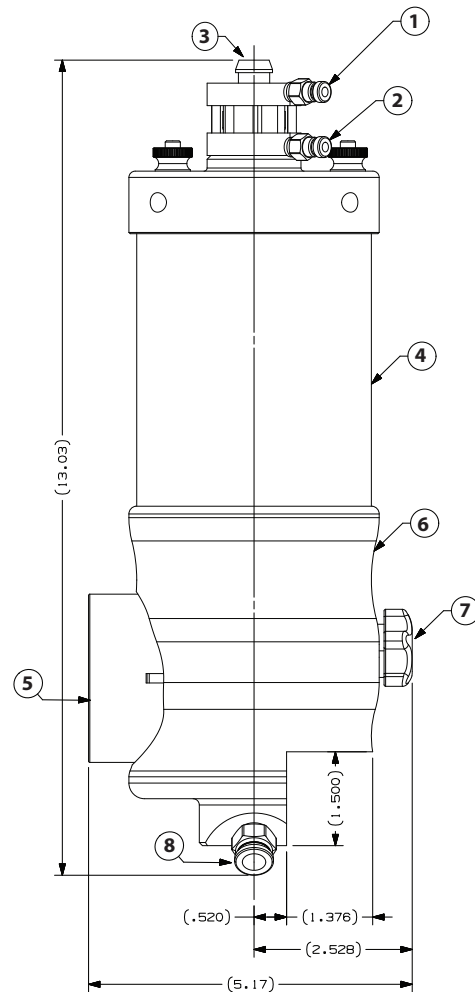
- 1 - Air connection
- 2 - Abrasive Inlet
- 3 - Abrasive Housing
- 4 - Metering Lever
- 5 - Abrasive Housing Base
- 6 - Abrasive Outlet to Cutting Head
- 7 - Fine Tubing Adjustment Screw
- 8 - Retainment Bolt



KMT IDE[®] II and IDE[®] PRO Cutting Heads



KMT Autoline[®] II and Autoline[®] PRO Abrasive Cutting Heads



Android



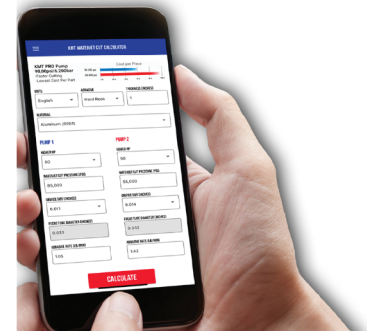
iOS



NEW! Cut Calculator APP 2.0

Compare 90,000psi to 60,000psi cutting.

Increase Productivity @ 90,000psi!



SHAPE TECHNOLOGIES GROUP[®]

KMT Waterjet Systems Inc.

635 West 12th Street
 Baxter Springs, KS 66713 USA
 620-856-2151 • 800-826-9274
 Fax: 620-856-5050
 sales@kmtwaterjet.com

THE HEART OF WATERJET CUTTING

kmtwaterjet.com



01/2022 - FEEDLINE PRECISION